

THERMAL FLUID HEATERS

CE LINE

ELECTRICAL HEATERS



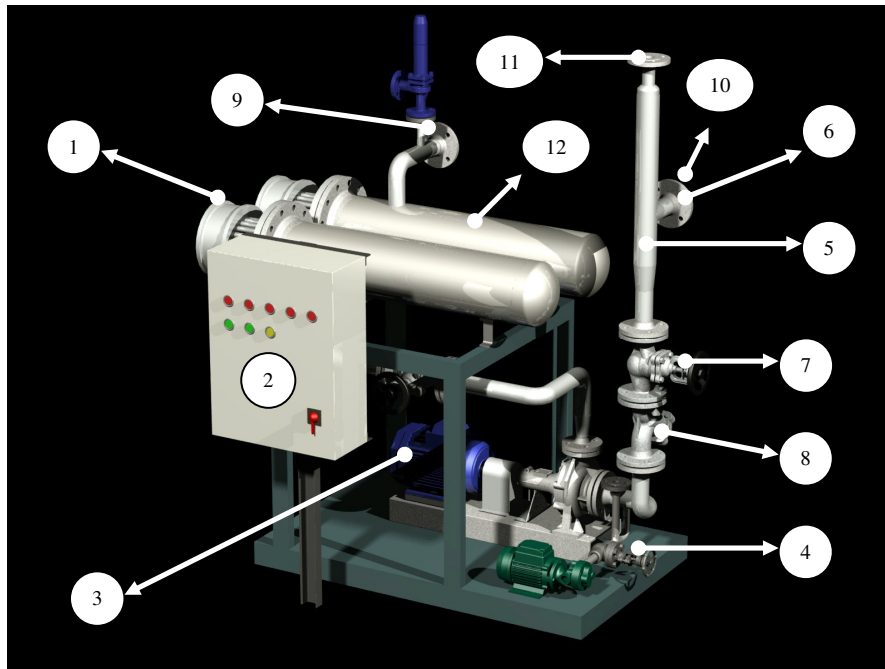
Special Models for:

- Heating of presses
- Reduced thermal charge
- Explosion-proof execution
- Communication to PC
- Pressurized expansion tank
- Operating temperature till 400 °C

Characteristics

- Powers from 8 to 2500 kW
- Design codes: AD-MERKBLÄTTER, DIN4754, EN-13445
- Marked CE
- Low density: 3,15w/m²
- Official tested pressure: 14 bar
- Operating pressure: 7 bar
- Design temperature: 400°C
- Maximal operating temperature: 350°C
- Separated CAP

Electrical heater scheme

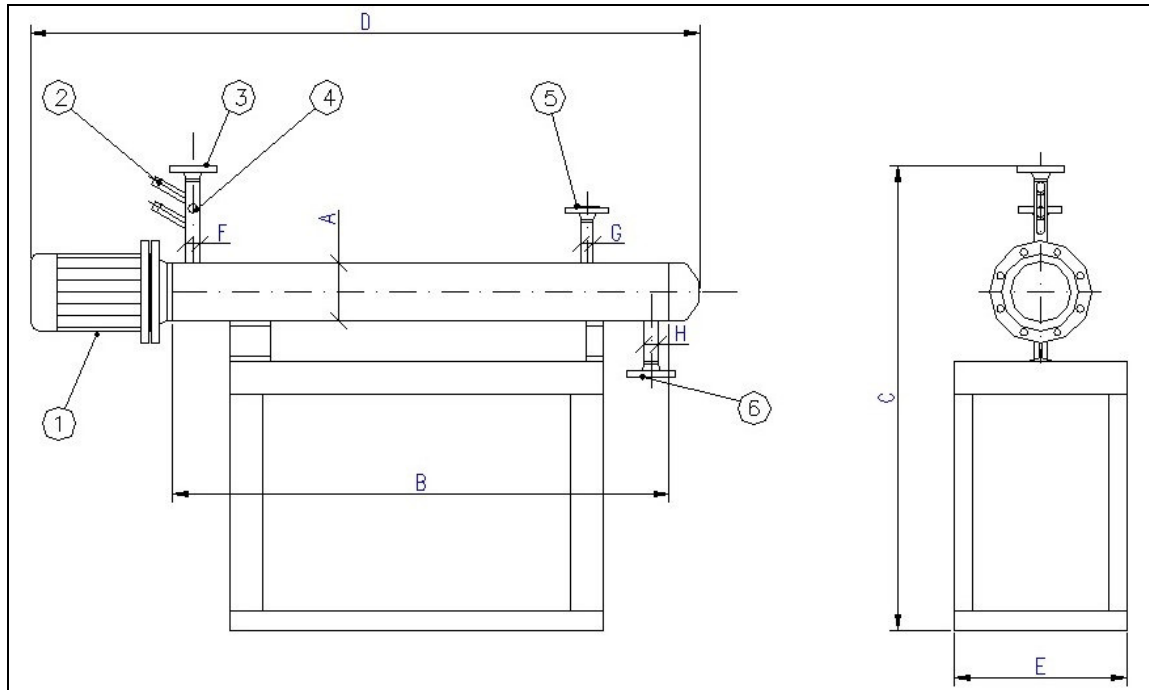


- 1 Electrical resistances
- 2 Electric panel
- 3 Recirculation pump
- 4 Filled/drained pump
- 5 Gas collection bottle
- 6 Security valve
- 7 Interruption valve
- 8 Filter
- 9 Outlet flange
- 10 Flange of return
- 11 Expansion tank flange
- 12 Resistances body with heat insulation

Model	Calorific power	
	Kcal/h	kW
CE-24	20.500	24
CE-41	35.000	41
CE-48	41.000	48
CE-54	46.000	54
CE-81	69.500	81
CE-85	73.000	85
CE-96	82.500	96
CE-108	93.000	108
CE-120	103.000	120
CE-240	206.000	240
CE-360	300.000	350
...
CE-2500	2.150.000	2500

*Another powers under request.

Main dimensions



Legend: 1.- Electrical resistance; 2.-Thermowells; 3.- Thermal fluid outlet connexion; 4.-Manometer sweep;
5.-Security valve connexion; 6.-Thermal fluid inlet connexion

The manufacturer reserves the right to modify the characteristics with the objective to improve the equipment.

HEATER MODEL	Vol. (l)	Nº Resistances	Dimensions (mm)					Connexions			Category according DEP 97/23 CE
			A	B	C	D	E	F	G	H	
CE-24	17	--	Ø139.7-DN125	1210	1280	1720	420	DN25	DN20	DN25	Artic. 3º, ap.3
CE-41	34	--	Ø139.7-DN125	1960	1450	2645	420	DN25	DN25	DN25	Cat. I, mod. A
CE-48	35	2 x 24 kW	Ø139.7-DN125	1210	1280	1720	780	DN25	DN20	DN25	Cat. I, mod. A
CE-54	36	2 x 27 kW	Ø114.2-DN100	1960	1320	2340	740	DN32	DN20	DN32	Cat. I, mod. A
CE-81	54	3 x 27 kW	Ø114.2-DN100	1960	1520	2340	640	DN40	DN20	DN32	Cat. I, mod. A
CE-85	46	--	Ø168.3-DN150	2460	1560	2950	460	DN40	DN25	DN40	Cat. I, mod. A
CE-96	59	2 x 48 kW	Ø219.1-DN200	960	1350	1410	800	DN50	DN20	DN50	Cat. I, mod. A
CE-108	69	--	Ø219.1-DN200	1960	1560	2510	460	DN40	DN25	DN40	Cat. I, mod. A
CE-120	74	--	Ø219.1-DN200	2200	1350	2750	460	DN40	DN25	DN40	Cat. I, mod. A
CE-240	162	2x 120 kW	Ø219.1-DN200	2200	1450	2750	800	DN40	DN25	DN40	Cat. I, mod. A
CE-360	273	3 x 120 kW	Ø219.1-DN200	2200	1700	2750	1050	DN25	DN25	DN65	Cat. I, mod. A

*Another powers under request.

P.I. Santiga, Av/ Castell de Barberà 31 08210 BARBERA DEL VALLÉS – SPAIN

E-mail: comercial@pirobloc.com <http://www.pirobloc.com>

Tel. 00 34 937 189 064 – Fax 00 34 902 908 812

(FT-CE v.2) 09/2009