

## EXCHANGERS

INA LINE

CALORIFIER



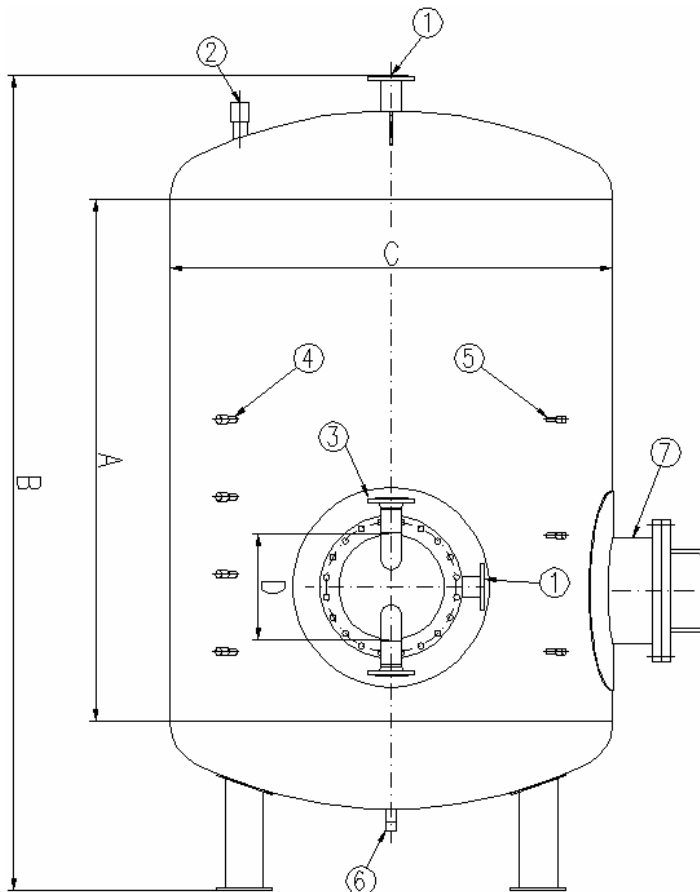
### Special Models for:

- Another productions.
- Another design pressures.

### Characteristics

- Design codes: AD-MERKBLÄTTER.
- Marked CE
- Tested pressure: 8,6 bar.
- Design pressure: 6 bar.
- Pressure engines regulation.
- Prevention and control of legionnaire's disease regulation.
- Made under 97/23/CE regulation, relative to pressure engines.

## Calorifier general scheme.



**Legend:**

- 1.- Water connection;
- 2.- Security valve;
- 3.- Thermal oil connection;
- 4.- Cathodic protection intakes (  $\frac{3}{4}$ " );
- 5.- Intakes P-Ta (  $\frac{1}{2}$ " );
- 6.- Drained (1  $\frac{1}{2}$ " );
- 7.- Man passage (only in case of A.C.S.) (DN450).

	Enclosure I	Enclosure II
<b>Denomination</b>	Tank	Bundle
<b>Content fluid</b>	Water	Thermal fluid
<b>Design pressure (bar)</b>	6	6
<b>Test pressure (bar)</b>	8.6	8.6
<b>Design temperature (°C)</b>	100	300

## Main dimensions

NOMENCLATURE			
INA	XXXX	D	L
Hot water Calorifier	(Production in l/h)	Thermal fluid direct feeding ( $T_{oil}^a=220^{\circ}C$ )	Hot water laundry ( $T_{water}^a=85^{\circ}C$ )
		S	S
		Feeding by secondary ( $T_{oil}^a=130^{\circ}C$ )	Sanitary hot water ( $T_{water}^a=60^{\circ}C$ )

### CALORIFIER RANGE D.S.

CALORIFIER MODEL	Dimensions (mm)				Connections		
	A	B	C	D	1	2	3
INA-1000-D-S	1000	2000	1000	273 – DN250	DN32	1"	DN25
INA-2000-D-S	1500	2600	1250	273 – DN250	DN40	1 ½"	DN32
INA-3000-D-S	1500	2700	1450	323.9 – DN300	DN50	1 ½"	DN40
INA-4000-D-S	2000	3200	1450	323.9 – DN300	DN65	1 ½"	DN50
INA-5000-D-S	2000	3300	1600	323.9 – DN300	DN65	2"	DN50
INA-6000-D-S	2000	3300	1800	355.6 – DN350	DN80	2"	DN65
INA-1000-D-L	1000	2000	1000	273 – DN250	DN32	1"	DN32
INA-2000-D-L	1500	2600	1250	323.9 – DN300	DN40	1 ½"	DN40
INA-3000-D-L	1500	2700	1450	323.9 – DN300	DN50	1 ½"	DN50
INA-4000-D-L	2000	3200	1450	355.6 – DN350	DN65	1 ½"	DN65
INA-5000-D-L	2000	3300	1600	406.4 – DN400	DN65	2"	DN65
INA-6000-D-L	2000	3300	1800	406.4 – DN400	DN80	2"	DN80

The manufacturer reserves the right to modify the characteristics with the objective to improve the equipment.

## Main dimensions

### CALORIFIER RANGE S.S.

CALORIFIER MODEL	Dimensions (mm)				Connections		
	A	B	C	D	1	2	3
INA-1000-S-S	1000	2000	1000	273 – DN250	DN32	1"	DN25
INA-2000-S-S	1500	2600	1250	323.9 – DN300	DN40	1 ½"	DN40
INA-3000-S-S	1500	2700	1450	355.6 – DN350	DN50	1 ½"	DN50
INA-4000-S-S	2000	3200	1450	406.4 – DN400	DN65	1 ½"	DN50
INA-5000-S-S	2000	3300	1600	406.4 – DN400	DN65	2"	DN65
INA-6000-S-S	2000	3300	1800	457.2 – DN450	DN80	2"	DN65
INA-1000-S-L	1000	2000	1000	323.9 – DN300	DN32	1"	DN32
INA-2000-S-L	1500	2600	1250	406.4 – DN400	DN40	1 ½"	DN50
INA-3000-S-L	1500	2700	1450	457.2 – DN450	DN50	1 ½"	DN65
INA-4000-S-L	2000	3200	1450	508 – DN500	DN65	1 ½"	DN65
INA-5000-S-L	2000	3300	1600	508 – DN500	DN65	2"	DN80
INA-6000-S-L	2000	3300	1800	508 – DN500	DN80	2"	DN80

The manufacturer reserves the right to modify the characteristics with the objective to improve the equipment.

P.I. Santiga, Av/ Castell de Barberà 31 08210 BARBERÀ DEL VALLÉS – Spain  
E-mail: [comercial@pirobloc.com](mailto:comercial@pirobloc.com) <http://www.pirobloc.com>  
Tel. 00 34 937 189 064 – Fax 00 34 902 908 812