

Electric Steam Boilers

CEV LINE

P.I. Santiga, Av. Castell de Barberà 31 08210
BARBERA DEL VALLES – Barcelona, Spain

E-mail comercial@pirobloc.com
Web www.pirobloc.com
Tel. 34 937 189 064



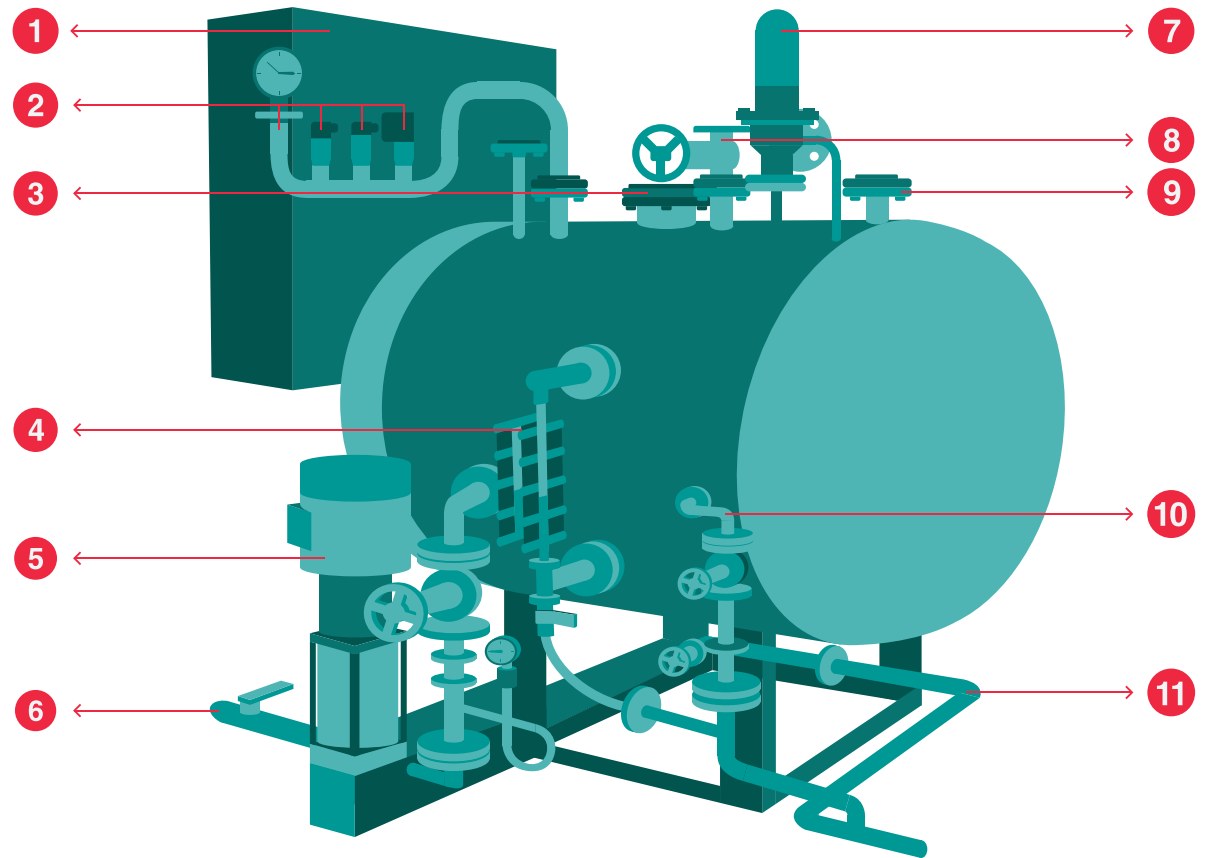
Characteristics

- › Power range: 25 to 2500 kW
- › Design codes: AD-MERKBLÄTTER, EN-13445
- › Mark CE
- › Design pressure: 9 bar(g)
- › Maximal service pressure: 8 bar(g)
- › Design temperature: 200°C
- › Maximal service temperature: 175°C

Options

- › Different steam productions
- › Different pressures
- › ATEX execution
- › Totally execution in stainless steel
- › Automatic salts purge
- › Automatic blowdown system

General Layout



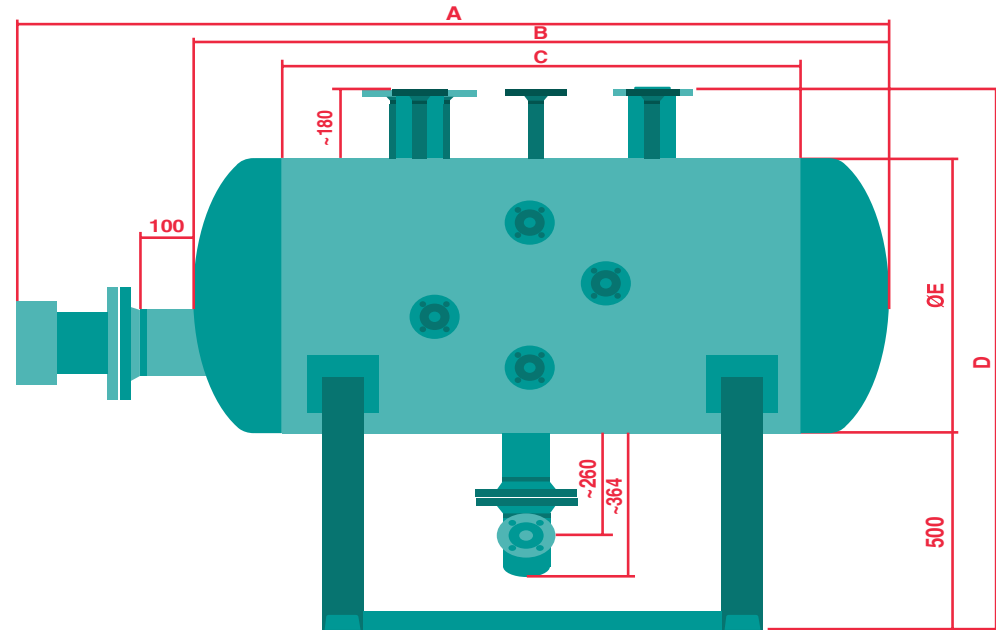
1. Control panel
2. Pressure switches and pressure gauge
3. Level control
4. Visual level
5. Feeding pump
6. Feeding network inlet

7. Safety valve
8. Steam outlet
9. Level security
10. Salts purge
11. Blowdown system

Main dimensions

Model	Calorific power	Steam production (*)
	kW	kg/h
CEV-25	25	35
CEV-50	50	70
CEV-75	75	105
CEV-100	100	140
CEV-125	125	175
CEV-150	150	210
CEV-175	175	245
CEV-200	200	280
-	-	-
CEV-2500	2500	3500

Category according with DEP 97/23 CE: Cat. IV, mod G.
 (*) Another powers and pressures under request



Model	N° Resistances	Dimensions				
		A	B	C	D	E
CEV-25	1 x 25 kW	1345	1010	700	1275	600
CEV-50	2 x 25 kW	1345	1010	700	1275	600
CEV-75	1 x 25 kW 1 x 50 kW	1690	1350	1000	1375	700
CEV-100	2 x 50 kW	1690	1350	1000	1375	700
CEV-125	1 x 50 kW 1 x 75 kW	1690	1350	1000	1375	700
CEV-150	2 x 75 kW	1690	1350	1000	1375	700
CEV-175	1 x 75 kW 1 x 100 kW	1810	1445	1000	1575	900
CEV-200	2 x 100 kW	1810	1445	1000	1575	900