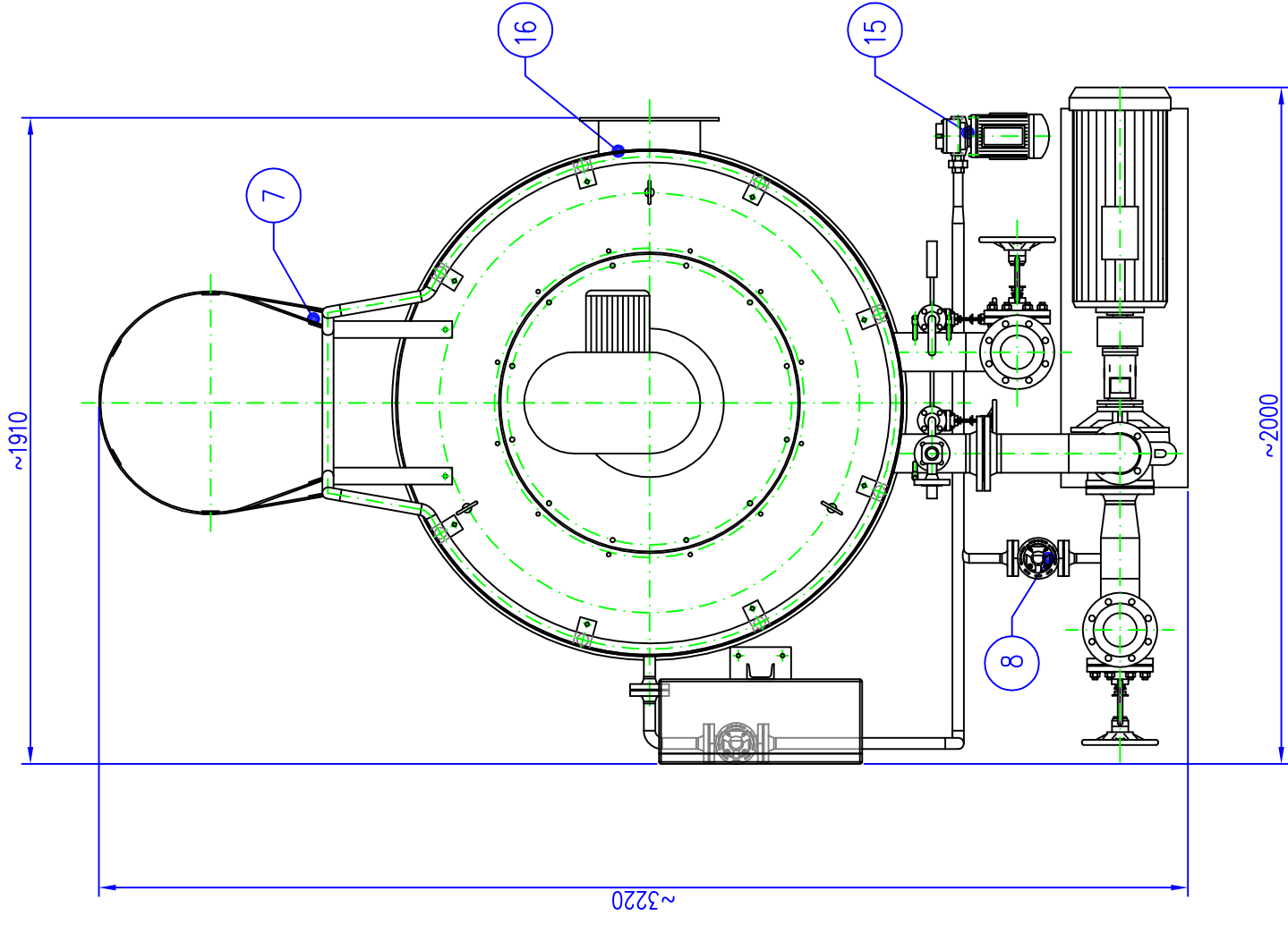


17	Drained Globe Valve	GGG 40.3, PN40, DN25, bellows	
16	Stack	Ø300	
15	Filling/Emptying Pump	1000 l/h 1CV	12
14	Safety Valve	PN40 DN20	5,4
13	Outlet	DN100	
12	Inlet	DN100	
11	Globe Valve Outlet Heater	GGC 40.3, PN16, DN100, bellows	33
10	Suction Globe Valve	GGG 40.3, PN16, DN100, bellows	33
9	Strainer	GGC 40.3, PN16, DN100	28
8	Drained Globe Valve	GGG 40.3, PN16, DN20, bellows	4,4
7	Ladder		
6	Railing		
5	Recirculation (electric feed pump) pump	Centrifugal 65-200 15kW	171
4	Group of control and indication of pressure differential pressure switch for maximal pressure,	Pressure gauge, pressure switch for maximal pressure,	
3	Electric Control Panel	380 V-50, 600x800x250	Aprox. 55
2	Burner	Gaseous and Liquid Fuels	2600
1	Thermal Fluid Heater PIROBLOC	GFT-060/20C	PESO (Kg.)
POS.	DENOMINACIÓN	OBSERVACIONES	

Note: -Only as a guide  
-Dimensions in mm



Maximal Service Temperature	300°C
Design Pressure	7 bar
Test Pressure	16 bar

F					
E					
D					
C					
B					
A					
Nr MOD.	DATE	NAME	DESCRIPTION		

DESIGNED		D. Campos		28-02-09		SCALE	
DRAWN		D. Campos		2-10-09		1:20	
OK-OF.TECN.							
OK-PRODUCT.							

REPLACE		SUBSTITUTED BY		DATE	
---------	--	----------------	--	------	--

Nº PLANE		MR-COM-001-04-A-EN		Nº REFERENCE	
DESCRIPTION		VERTICAL EXECUTION		CUSTOMER:	
		Monobloc Group GFT-060/20C			

Nº MOD.		DATE		NAME		DESCRIPTION	
---------	--	------	--	------	--	-------------	--

DESIGNED		D. Campos		28-02-09		SCALE	
DRAWN		D. Campos		2-10-09		1:20	
OK-OF.TECN.							
OK-PRODUCT.							

Nº PLANE		MR-COM-001-04-A-EN		Nº REFERENCE	
DESCRIPTION		VERTICAL EXECUTION		CUSTOMER:	
		Monobloc Group GFT-060/20C			

DESIGNED		D. Campos		28-02-09		SCALE	
DRAWN		D. Campos		2-10-09		1:20	
OK-OF.TECN.							
OK-PRODUCT.							

REPLACE		SUBSTITUTED BY		DATE	
---------	--	----------------	--	------	--

Nº PLANE		MR-COM-001-04-A-EN		Nº REFERENCE	
DESCRIPTION		VERTICAL EXECUTION		CUSTOMER:	
		Monobloc Group GFT-060/20C			

DESIGNED		D. Campos		28-02-09		SCALE	
DRAWN		D. Campos		2-10-09		1:20	
OK-OF.TECN.							
OK-PRODUCT.							

REPLACE		SUBSTITUTED BY		DATE	
---------	--	----------------	--	------	--

Nº PLANE		MR-COM-001-04-A-EN		Nº REFERENCE	
DESCRIPTION		VERTICAL EXECUTION		CUSTOMER:	
		Monobloc Group GFT-060/20C			

DESIGNED		D. Campos		28-02-09		SCALE	
DRAWN		D. Campos		2-10-09		1:20	
OK-OF.TECN.							
OK-PRODUCT.							

REPLACE		SUBSTITUTED BY		DATE	
---------	--	----------------	--	------	--

Nº PLANE		MR-COM-001-04-A-EN		Nº REFERENCE	
DESCRIPTION		VERTICAL EXECUTION		CUSTOMER:	
		Monobloc Group GFT-060/20C			

**PIROBLOC**  
P.I. Santiga, Av/ Castell de Barberà, 31  
08210 BARBERA DEL VALLES (Barcelona)  
Tlf. 34 (93) 718 90 64 - Fax 34 902 908 812  
E-mail: ofitec@piroblock.com  
http://www.piroblock.com

Nº PLANE		MR-COM-001-04-A-EN		Nº REFERENCE	
DESCRIPTION		VERTICAL EXECUTION		CUSTOMER:	
		Monobloc Group GFT-060/20C			

DESIGNED		D. Campos		28-02-09		SCALE	
DRAWN		D. Campos		2-10-09		1:20	
OK-OF.TECN.							
OK-PRODUCT.							

REPLACE		SUBSTITUTED BY		DATE	
---------	--	----------------	--	------	--

Nº PLANE		MR-COM-001-04-A-EN		Nº REFERENCE	
DESCRIPTION		VERTICAL EXECUTION		CUSTOMER:	
		Monobloc Group GFT-060/20C			

DESIGNED		D. Campos		28-02-09		SCALE	
DRAWN		D. Campos		2-10-09		1:20	
OK-OF.TECN.							
OK-PRODUCT.							

REPLACE		SUBSTITUTED BY		DATE	
---------	--	----------------	--	------	--

Nº PLANE		MR-COM-001-04-A-EN		Nº REFERENCE	
DESCRIPTION		VERTICAL EXECUTION		CUSTOMER:	
		Monobloc Group GFT-060/20C			

DESIGNED		D. Campos		28-02-09		SCALE	
DRAWN		D. Campos		2-10-09		1:20	
OK-OF.TECN.							
OK-PRODUCT.							

REPLACE		SUBSTITUTED BY		DATE	
---------	--	----------------	--	------	--

Nº PLANE		MR-COM-001-04-A-EN		Nº REFERENCE	
DESCRIPTION		VERTICAL EXECUTION		CUSTOMER:	
		Monobloc Group GFT-060/20C			

DESIGNED		D. Campos		28-02-09		SCALE	
DRAWN		D. Campos		2-10-09		1:20	
OK-OF.TECN.							
OK-PRODUCT.							

REPLACE		SUBSTITUTED BY		DATE	
---------	--	----------------	--	------	--

Nº PLANE		MR-COM-001-04-A-EN		Nº REFERENCE	
DESCRIPTION		VERTICAL EXECUTION		CUSTOMER:	
		Monobloc Group GFT-060/20C			

DESIGNED		D. Campos		28-02-09		SCALE	
DRAWN		D. Campos		2-10-09		1:20	
OK-OF.TECN.							
OK-PRODUCT.							

REPLACE		SUBSTITUTED BY		DATE	
---------	--	----------------	--	------	--

Nº PLANE		MR-COM-001-04-A-EN		Nº REFERENCE	
DESCRIPTION		VERTICAL EXECUTION		CUSTOMER:	
		Monobloc Group GFT-060/20C			

DESIGNED		D. Campos		28-02-09		SCALE	
DRAWN		D. Campos		2-10-09		1:20	
OK-OF.TECN.							
OK-PRODUCT.							

REPLACE		SUBSTITUTED BY		DATE	
---------	--	----------------	--	------	--

Nº PLANE		MR-COM-001-04-A-EN		Nº REFERENCE	
DESCRIPTION		VERTICAL EXECUTION		CUSTOMER:	
		Monobloc Group GFT-060/20C			

DESIGNED		D. Campos		28-02-09		SCALE	
DRAWN		D. Campos		2-10-09		1:20	
OK-OF.TECN.							
OK-PRODUCT.							

REPLACE		SUBSTITUTED BY		DATE	
---------	--	----------------	--	------	--

Nº PLANE		MR-COM-001-04-A-EN		Nº REFERENCE	
DESCRIPTION		VERTICAL EXECUTION		CUSTOMER:	
		Monobloc Group GFT-060/20C			

DESIGNED		D. Campos		28-02-09		SCALE	
DRAWN		D. Campos		2-10-09		1:20	
OK-OF.TECN.							
OK-PRODUCT.							

REPLACE		SUBSTITUTED BY		DATE	
---------	--	----------------	--	------	--

Nº PLANE		MR-COM-001-04-A-EN		Nº REFERENCE	
DESCRIPTION		VERTICAL EXECUTION		CUSTOMER:	
		Monobloc Group GFT-060/20C			

DESIGNED		D. Campos		28-02-09		SCALE	
DRAWN		D. Campos		2-10-09		1:20	
OK-OF.TECN.							
OK-PRODUCT.							

REPLACE		SUBSTITUTED BY		DATE	
---------	--	----------------	--	------	--

Nº PLANE		MR-COM-001-04-A-EN		Nº REFERENCE	
DESCRIPTION		VERTICAL EXECUTION		CUSTOMER:	
		Monobloc Group GFT-060/20C			

DESIGNED		D. Campos		28-02-09		SCALE	
DRAWN		D. Campos		2-10-09		1:20	
OK-OF.TECN.							
OK-PRODUCT.							

REPLACE		SUBSTITUTED BY		DATE	
---------	--	----------------	--	------	--

Nº PLANE		MR-COM-001-04-A-EN		Nº REFERENCE	
DESCRIPTION		VERTICAL EXECUTION		CUSTOMER:	
		Monobloc Group GFT-060/20C			

DESIGNED		D. Campos		28-02-09		SCALE	
DRAWN		D. Campos		2-10-09		1:20	
OK-OF.TECN.							
OK-PRODUCT.							

REPLACE		SUBSTITUTED BY		DATE	
---------	--	----------------	--	------	--

Nº PLANE		MR-COM-001-04-A-EN		Nº REFERENCE	
DESCRIPTION		VERTICAL EXECUTION		CUSTOMER:	
		Monobloc Group GFT-060/20C			

DESIGNED		D. Campos		28-02-09		SCALE	
DRAWN		D. Campos		2-10-09		1:20	
OK-OF.TECN.							
OK-PRODUCT.							

REPLACE		SUBSTITUTED BY		DATE	
---------	--	----------------	--	------	--

Nº PLANE		MR-COM-001-04-A-EN		Nº REFERENCE	
DESCRIPTION		VERTICAL EXECUTION		CUSTOMER:	
		Monobloc Group GFT-060/20C			

DESIGNED		D. Campos		28-02-09		SCALE	
DRAWN		D. Campos		2-10-09		1:20	
OK-OF.TECN.							
OK-PRODUCT.							

REPLACE		SUBSTITUTED BY		DATE	
---------	--	----------------	--	------	--

Nº PLANE		MR-COM-001-04-A-EN		Nº REFERENCE	
DESCRIPTION		VERTICAL EXECUTION		CUSTOMER:	
		Monobloc Group GFT-060/20C			

DESIGNED		D. Campos		28-02-09		SCALE	
DRAWN		D. Campos		2-10-09		1:20	
OK-OF.TECN.							
OK-PRODUCT.							

REPLACE		SUBSTITUTED BY		DATE	
---------	--	----------------	--	------	--

Nº PLANE		MR-COM-001-04-A-EN		Nº REFERENCE	
DESCRIPTION		VERTICAL EXECUTION		CUSTOMER:	
		Monobloc Group GFT-060/20C			

DESIGNED		D. Campos		28-02-09		SCALE	
DRAWN		D. Campos		2-10-09		1:20	
OK-OF.TECN.							
OK-PRODUCT.							

REPLACE		SUBSTITUTED BY		DATE	
---------	--	----------------	--	------	--

Nº PLANE		MR-COM-001-04-A-EN		Nº REFERENCE	
DESCRIPTION		VERTICAL EXECUTION		CUSTOMER:	
		Monobloc Group GFT-060/20C			

DESIGNED		D. Campos		28-02-09		SCALE	
DRAWN		D. Campos		2-10-09		1:20	
OK-OF.TECN.							
OK-PRODUCT.							

REPLACE		SUBSTITUTED BY		DATE	
---------	--	----------------	--	------	--

Nº PLANE		MR-COM-001-04-A-EN		Nº REFERENCE	
DESCRIPTION		VERTICAL EXECUTION		CUSTOMER:	
		Monobloc Group GFT-060/20C			

DESIGNED		D. Campos		28-02-09		SCALE	
DRAWN		D. Campos		2-10-09		1:20	
OK-OF.TECN.							
OK-PRODUCT.							

REPLACE		SUBSTITUTED BY		DATE	
---------	--	----------------	--	------	--

Nº PLANE		MR-COM-001-04-A-EN		Nº REFERENCE	
DESCRIPTION		VERTICAL EXECUTION		CUSTOMER:	
		Monobloc Group GFT-060/20C			

DESIGNED		D. Campos		28-02-09		SCALE	
DRAWN		D. Campos		2-10-09		1:20	
OK-OF.TECN.							
OK-PRODUCT.							

RE	
----	--