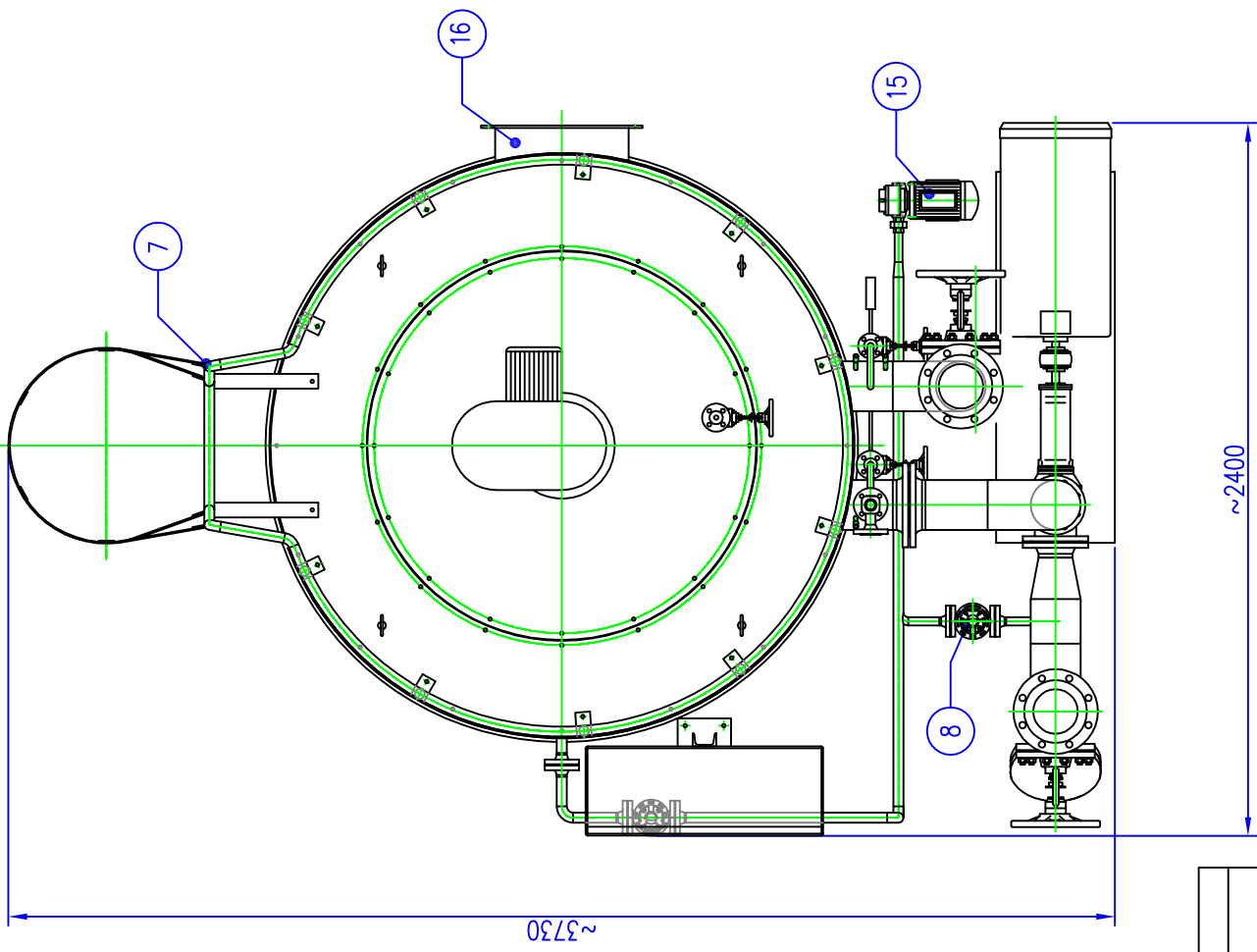


17	Drained Valve	A-234 WPB, ANSI B 16.9, STD	
16	Stack	A-234 WPB, ANSI B 16.9, STD	
15	Filling/emptying pump	ASTM. A-106 Gr.B, ANSI B 36-10, Sch 40	12
14	Safety Valve	C22.8, DIN2633, PN16	6
13	Outlet	GGG 40.3, PN40, DN25, bellows	
12	Inlet	1000 l/h 1CV	
11	Globe Valve	PN40, DN25	
10	Suction Globe Valve	DN150	
9	Strainer	GGG 40.3, PN16, DN150, bellows	69
8	Drained Valve	GGG 40.3, PN16, DN150	69
7	Ladder	GGG 40.3, PN16, DN20, bellows	58
6	Railing		4,4
5	Recirculation pump		333
3	Group of control and indication of pressure	Centrifugal 80-200 30 kW	
2	Electric Control Panel	Pressure gauge, pressure switch for maximal pressure, differential pressure switch	Aprox. 90
1	Thermal Fluid Heater PIROBLOC	380 V-50, 800x800x300	5400
POS. DENOMINATION		GFT-130/20V	WEIGHT (Kg.)
		OBSERVATIONS	

Note: -Only as a guide
-Dimensions in mm



Maximal Service Temperature	300°C
Design Pressure	7 bar
Test Pressure	16 bar

F			
E			
D			
C			
B			

Nr MOD.	DATE	NAME	DESCRIPTION

N° REFERENCE		SCALE	
MR-COM-001-07-A-EN		1:25	
DESIGNED	D. Pastor	16-02-09	
DRAWN	D. Campos	2-10-09	
OK-OF.TECN.			
OK-PRODUCT.			

CUSTOMER:	
Monobloc Group GFT-130/20	
VERTICAL EXECUTION	

N° PLANE		Num. sheet	
MR-COM-001-07-A-EN		1	
Total sheets		1	

PIROBLOC	
P.I. Santiga, Av/ Castell de Barberà, 31	
08210 BARBERA DEL VALLES (Barcelona)	
Tlf. 34 (9) 3 718 90 64 - Fax 34 902 908 812	
E-mail: ofitec@pirobloc.com	
http://www.pirobloc.com	